

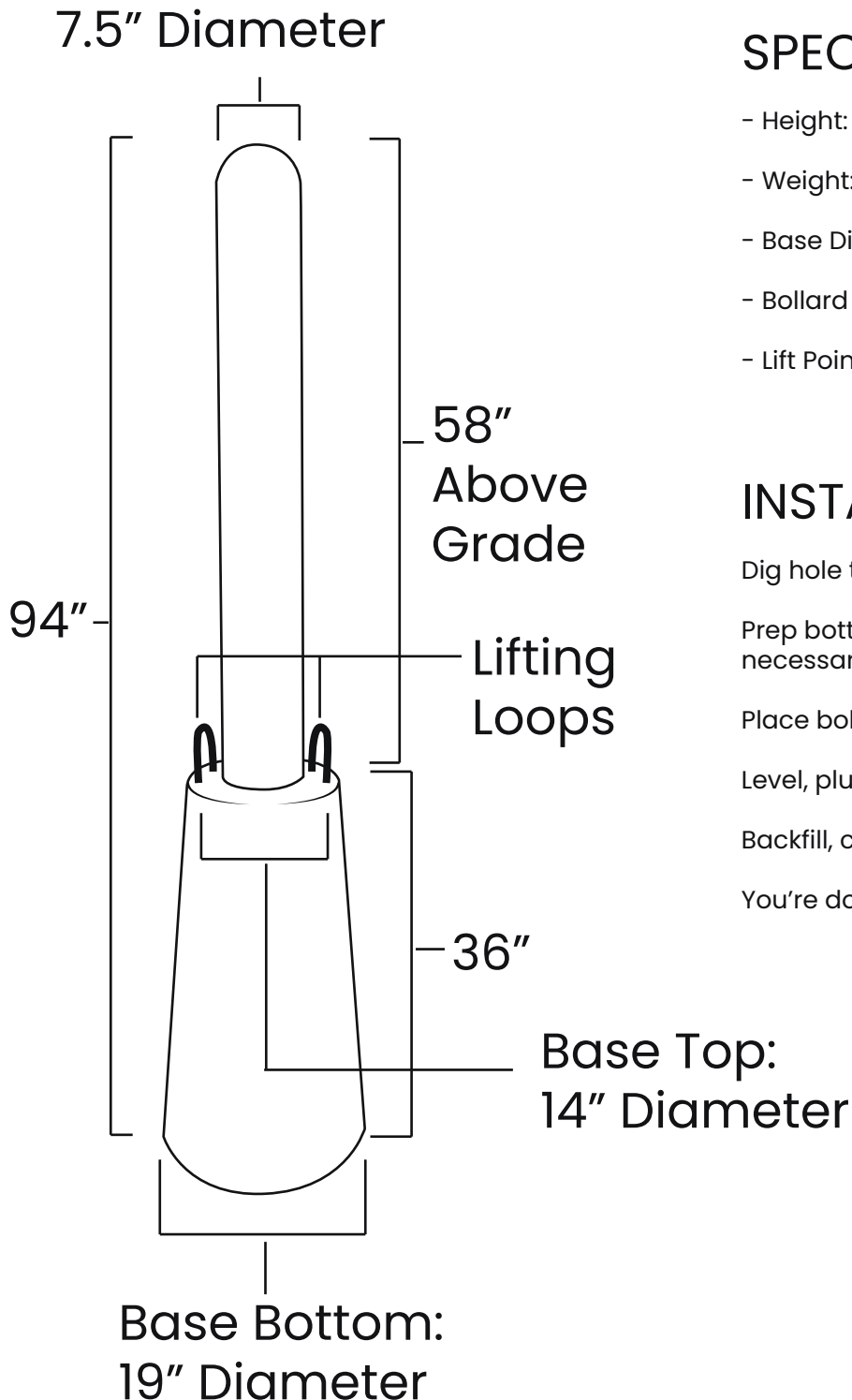
PRECAST BOLLARD

EASY INSTALLATION. STRONG SECURITY



DOWNLOAD FULL SPECS
& INSTRUCTIONS AT

EZ-CRETE.COM



SPECS:

- Height: 94"
- Weight: 1,100 lbs. with 36" base
- Base Diameter: 14" at top; 19" at bottom
- Bollard Diameter: 7.5"
- Lift Points: 2 Steel loops at top of base

INSTALLATION:

Dig hole to required depth.

Prep bottom with crushed stone as necessary.

Place bollard into position with equipment.

Level, plumb & align bollard as necessary.

Backfill, compacting soil every six inches.

You're done! Nice job.