

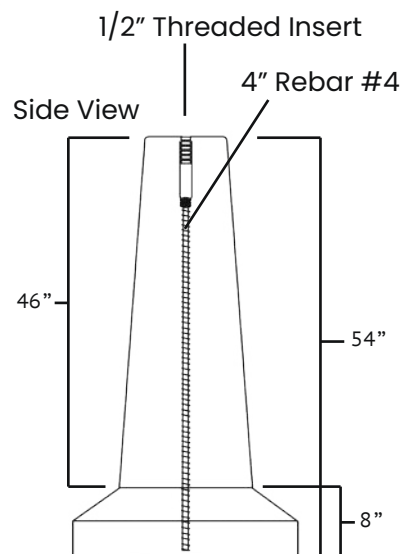
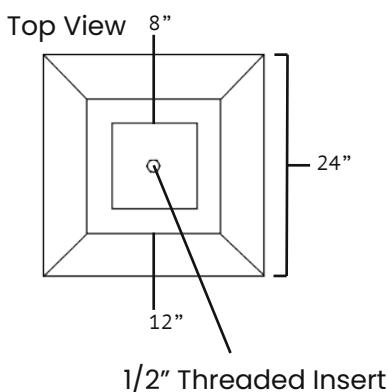
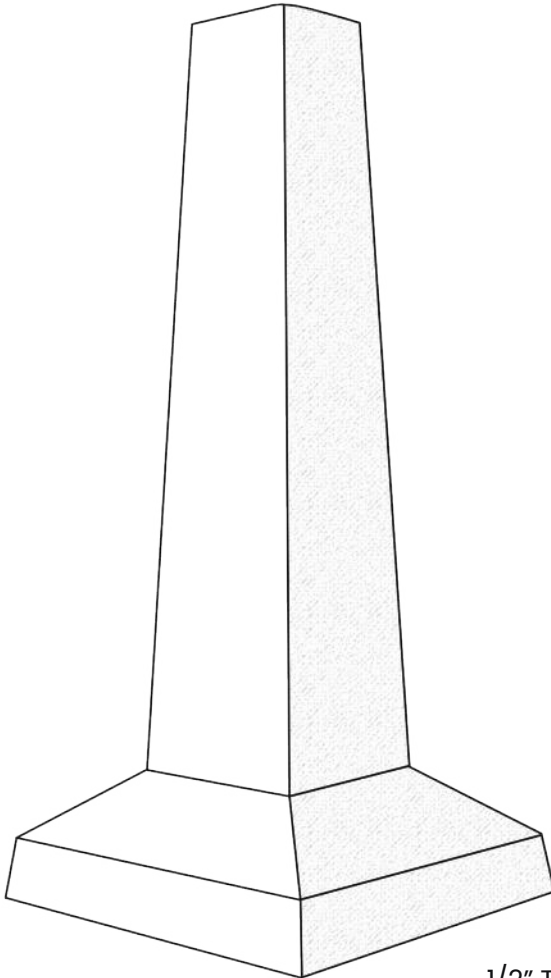
EZ-PIER

INSTALLS IN MINUTES. KEEP BUILDING



DOWNLOAD FULL SPECS
& INSTRUCTIONS AT

EZ-CRETE.COM



SPECS:

- Weight: ~750 lbs. typ.
- Height: 54"
- Base: 24" x 24"
- Top: 8" x 8"
- Load Capacity: 115,000 lbs. at top
- Core: #4 rebar reinforcement
- Lift-point: 1/2" x 13" threaded insert at top accommodates forged eyebolt

INSTALLATION:

Dig hole or trench to the required depth (below the frost line).

Prep bottom with crushed stone as necessary.

Place EZ-PIER into position with equipment.

Level, plumb & align as necessary.

Backfill, compacting soil every six inches.

You're done! Keep building.

